

# ThermoPro Entrance Doors

## Entrance door programme

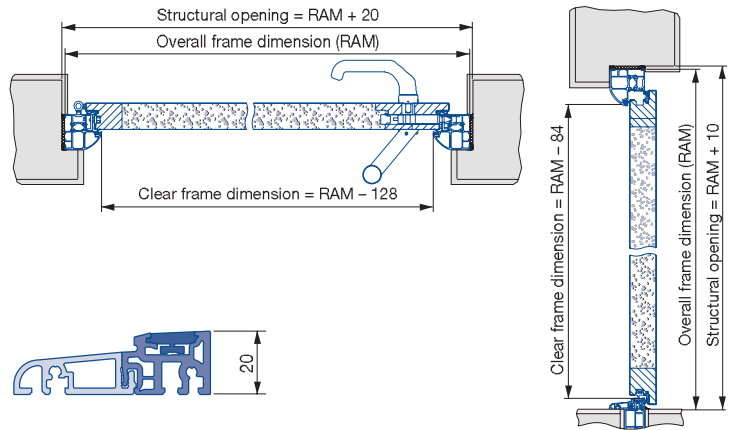
### Technical presentation of door set



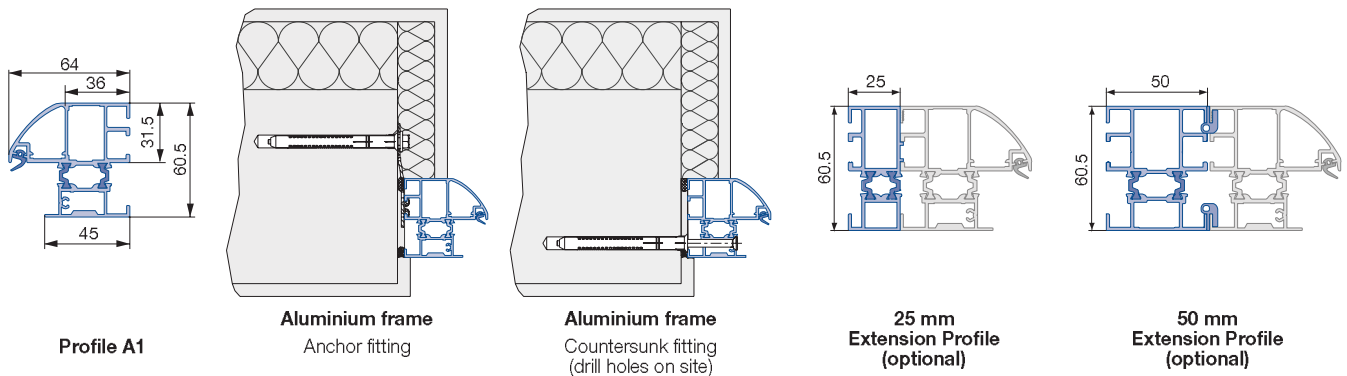
#### TPS entrance doors with aluminium frame (profile A1 shown in the drawing)

Standard sizes		
Overall frame dimension Ordering size	Structural opening	Clear frame dimension
<b>1000 x 2100</b>	1020 x 2110	872 x 2016
<b>1100 x 2100</b>	1120 x 2110	972 x 2016

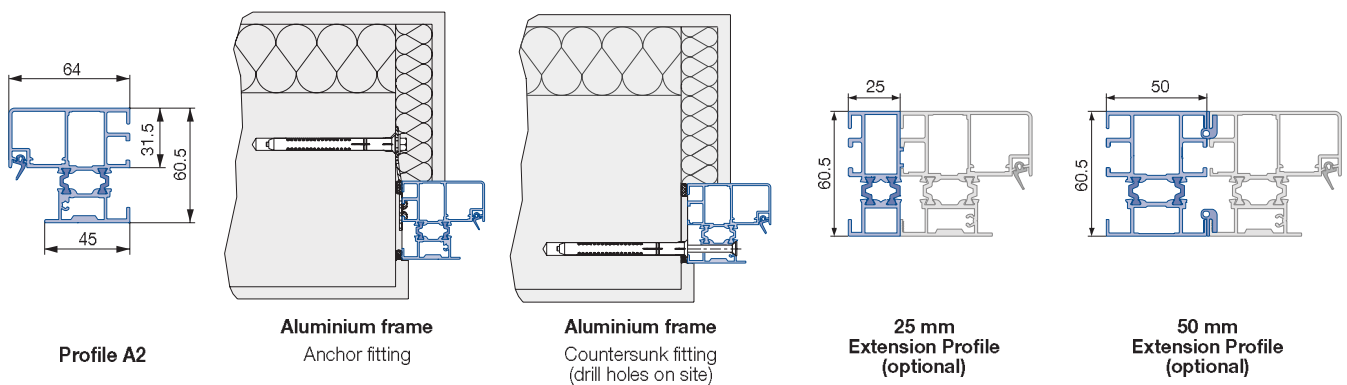
Special sizes		
TPS Styles	Overall frame dimension	
	Width	Height
010/015/515/040	875 - 1250	1875 - 2250
020/025/030	875 - 1250	1875 - 2250
100/400	875 - 1100	1875 - 2186
200	875 - 1100	1990 - 2186
700/750/900	875 - 1250	1875 - 2250



#### Wall connections for frames



#### Wall connections for frames



# ThermoPro Entrance Doors

## Entrance door programme

### Technical presentation of door set with side element / transom light



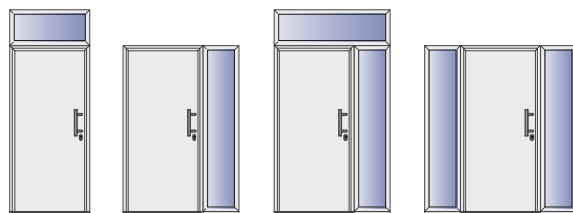
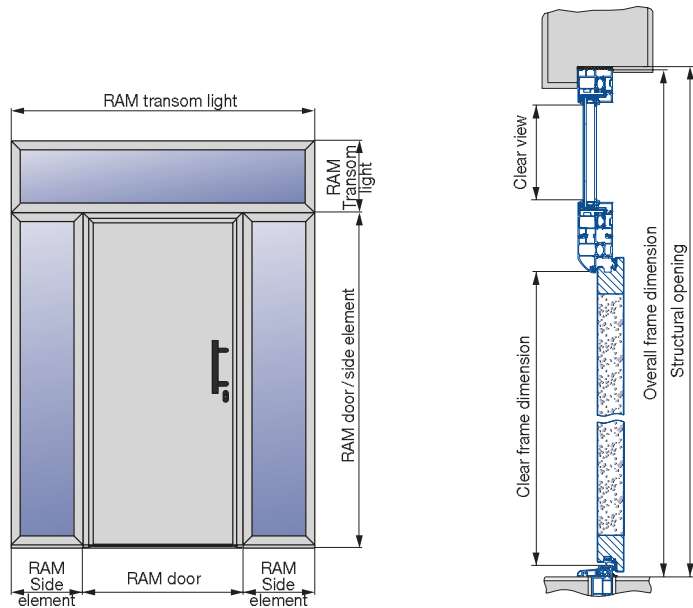
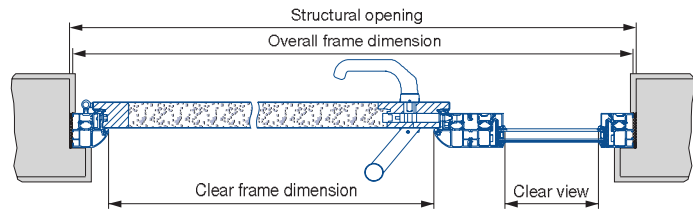
#### TPS entrance doors with side element/transom light

Standard sizes – Side element		
TPS Styles	Overall frame dimension	
	Width	Height
010/015/515/020/025/030/040/700/750/900	400	2100
100/200/400	450	2100

Special sizes – Side element		
TPS Styles	Overall frame dimension	
	Width	Height
010/015/515/040	See pages 416 and 417	
020/025/030/700/750/900		
100/200/400		

Size range – Transom light		
TPS Styles	Overall frame dimension	
	Width	Height
All styles	See page 416	

Clear view		
	Width	Height
Side element	RAM side element – 116	RAM side element – 138
Transom light	RAM transom light – 116	RAM transom light – 116



#### Clear view for styles with glazing

